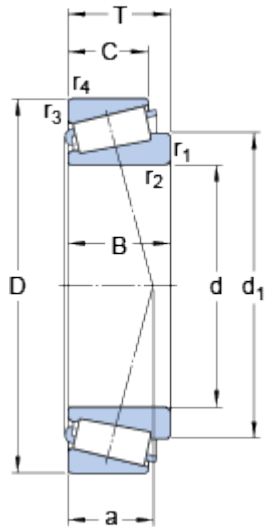


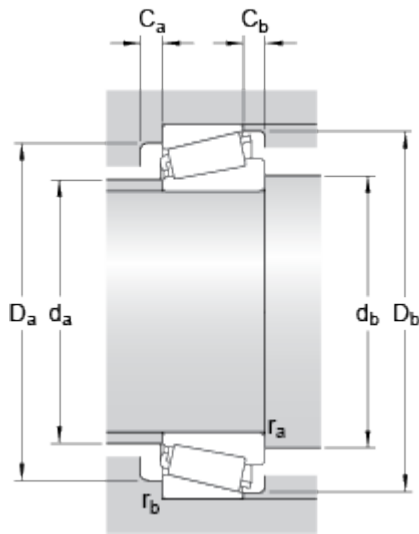
L 45449/410/Q

Dimensions



d		29	mm
D		50.292	mm
T		14.224	mm
d ₁	≈	40.8	mm
B		14.732	mm
C		10.668	mm
r _{1,2}	min.	3.5	mm
r _{3,4}	min.	1.3	mm
a		11	mm

Abutment dimensions



d _a	max.	34	mm
d _b	min.	40	mm
D _a	min.	44	mm
D _a	max.	44	mm
D _b	min.	48	mm
C _a	min.	3	mm
C _b	min.	3.5	mm
r _a	max.	3.3	mm
r _b	max.	1.3	mm

Calculation data

Basic dynamic load rating	C	26	kN
Basic static load rating	C ₀	32.5	kN
Fatigue load limit	P _u	3.4	kN
Reference speed		9500	r/min
Limiting speed		14000	r/min
Calculation factor	e	0.37	
Calculation factor	Y	1.6	

Calculation factor

Y_0

0.9

Mass

Mass bearing

0.111

kg